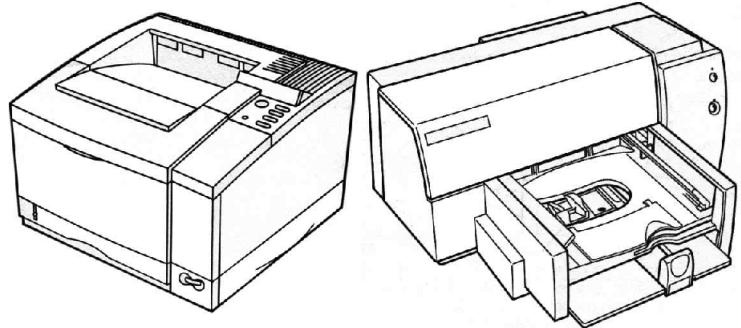


INSTRUCTIONS

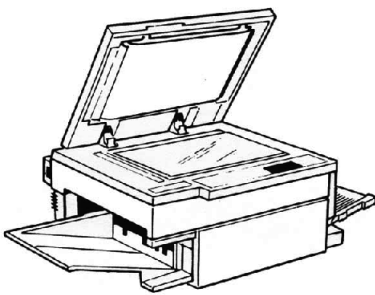
FREE PAPER

A PUBLIC SERVICE BROUGHT TO YOU BY THE PEOPLE FOR A CHEAPER AMERICA

Please take your time and read through all instructions before starting. Many of the procedures outlined here are complex and the entire process can become very confusing if all of the steps are not followed in the correct order. This document is comprised of two pages. An instruction sheet and a "clean sheet" specifically designed for reproduction.



1. Go to **Page Setup** under **File** and make sure that your printer is set to print at **100%** and that the **Page Orientation** is set to portrait not landscape.



3. When you are ready, click on the **Print** button. This will activate the first stage of the "Free Paper" system. In moments your first sheet of paper will magically come out of your printer. □



2. Go to **Print** under **File** and adjust your settings to print only page "2". *This is a crucial step.* Selecting **All** will waste valuable toner (or ink if you have and "ink jet" printer).

Note: *If this is your first time through this process we strongly urge that you leave the quantity setting to "1".*

4. Congratulations. This is your first sheet of paper and it is needed for the production of others. From now on we will refer to it as the "mother" sheet. You will see that as we go on the process gets easier and easier. □

Note: *If you ever tear or wrinkle the "mother" sheet you will have to review these instructions and start over at step 1 again.*

6. After you feel that you have the hang of producing your own paper, it is time to share the wealth. Fax one of your new sheets to a friend. Call him or her first and let them know that you are sending them something special. Afterwards let them try to guess how you did it. □

5. The next step allows you to multiply your single sheet into many sheets. Place the "mother" sheet on a copy machine. Be sure that it is laying straight and that the copy surface is clean. Here is where you can experiment with larger numbers. *Your first time out try making 10 sheets.*

Note: *If you plan on using both sides of your new paper it is advisable to use a copier □ with dual-side copying capabilities. □*

7. In time you will be e-mailing friends paper that they can use on their printers and the entire cycle will start all over again.

